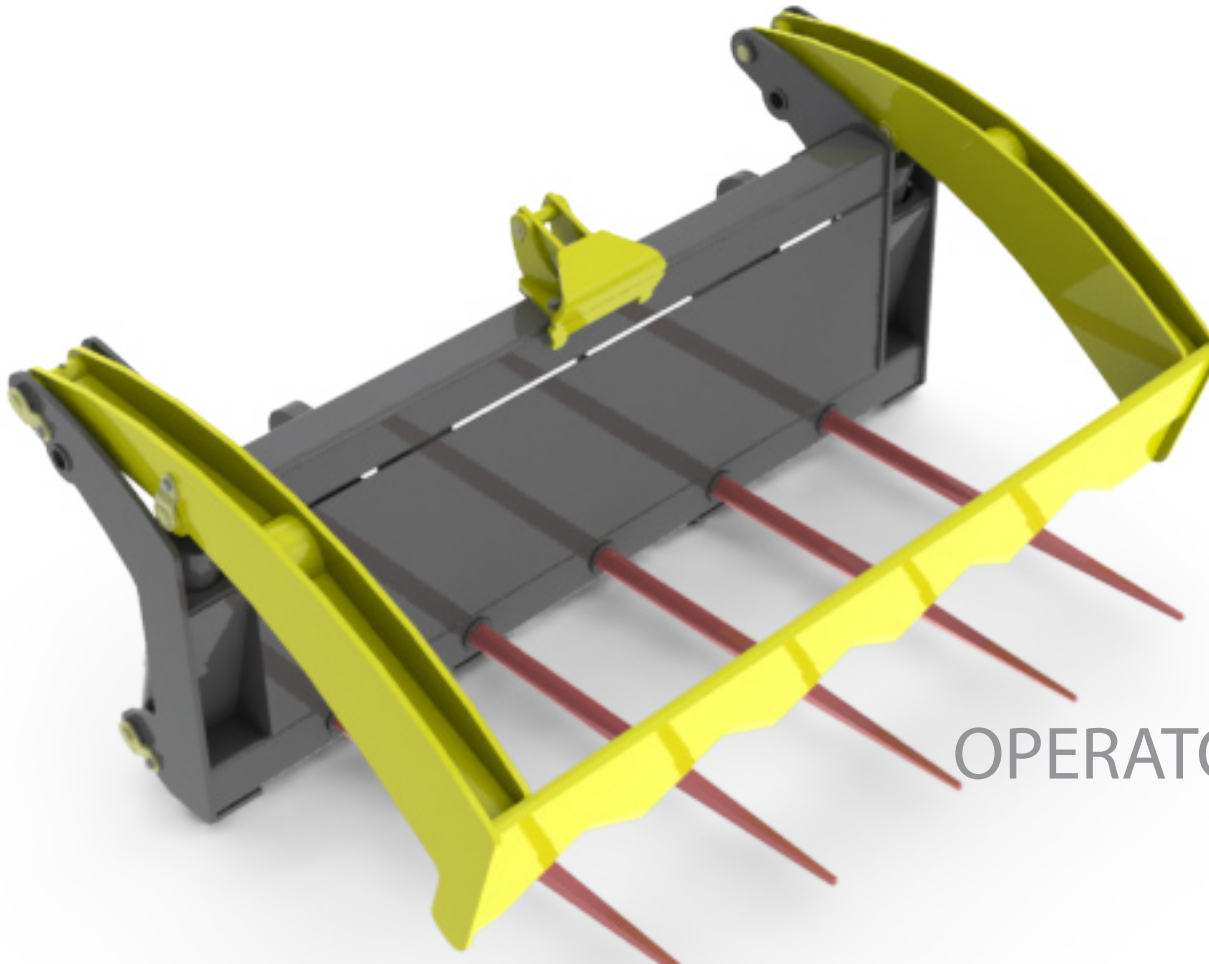


I70 - Bale Shear



OPERATOR'S
handbook

Table of Contents Section1

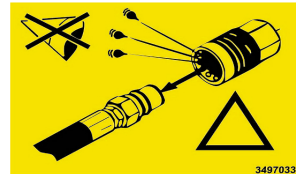
Chapter	Contents	Page
1	Warning Signs / Stickers	2
2	Introduction	3
3	Technical Specifications	5
4	Safety Precautions	6
5	Operating Instructions	9
6	Maintenance	11
7	Guarantee	12
8	Declaration of Conformity	14

Tanco Autowrap - I70 Bale Shear Operator's Manual

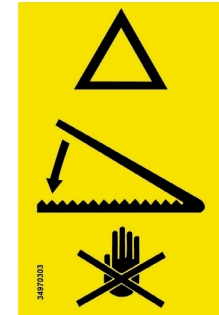
1. Warning Signs / Stickers



Read Operators Manual
Prior to using machine



Danger from oil splashes



Danger keep hands
clear of sharp blades



TAN128

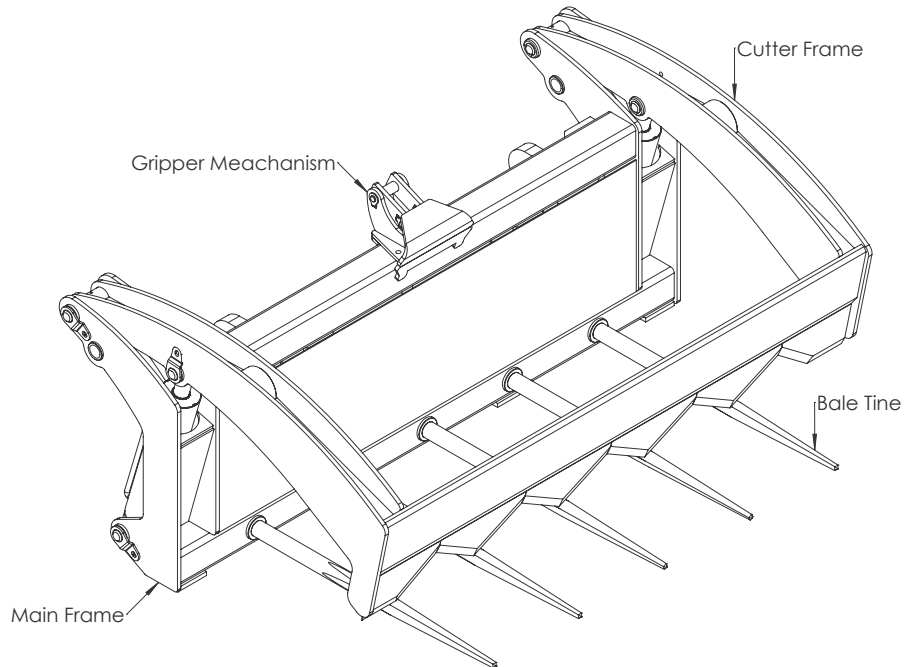
Danger stand clear



Ensure all nuts & bolts have
been tightened prior to
operating the machine



Danger stay at a safe distance
whilst machine is in operation



Tanco Autowrap Ltd congratulates you on your choice of the TANCO AUTOWRAP I70 Bale Shear. We are certain you will be satisfied with the machine, and that you will have the pleasure of your investment for many years.

The I70 Bale Shear system changes the way round bales are fed, making feeding this way efficient and economical. The I70 Bale Shear uses a Patented system for gripping the plastic wrap whilst splitting the bale in half making it ideal for feeding round bales along feed passages and into diet feeders.

The fact that no knives are required to strip the plastic wrap off silage bales, has huge safety advantages, especially when getting off the tractor. It can slice hay, straw or silage bales with consummate ease.

The unique system of automatic plastic grab and bale split, using just one standard hydraulic coupling, makes it ideal for front loader use. Chopping the bale in half when loading a diet/feeder-wagon, makes for more efficient mixing and less wear and tear on the feeder.

Read carefully through this manual, and especially the safety instructions, before starting the machine. Follow the instructions thoroughly, if problems should occur, check the troubleshooting guide to try to establish the problem. Ask your dealer for advice before you attempt anything that may make the problem worse.

Technical Specifications	I70 Bale Shear
Height (Closed)	0.8m
Height (Open)	1.62m
Width	1.82
Length	1.12m
Weight	450kgs
Maximum Bale Length	1.3m
Maximum Bale Diameter	1.35m
Maximum Bale Weight	1400kgs
Hydraulic Connection	Double acting service
Oil Pressure (Max / Min.)	210 bar / 150 bar
Oil Amount (Max / Min.)	50 lts / 20 lts
Maximum Counter Pressure	15 bar

NB: Tanco Autowrap Ltd. reserves the right to modify the construction and/or technical specifications without warning and without rights to changes on already delivered products

Tanco Autowrap Ltd does not take responsibility for damages that may occur to machine, persons or other equipment, because of the machine NOT being used as described in this manual, or because of the safety precautions NOT being followed.

IMPORTANT!

Always make sure nobody is in the hazard area of the Bale Shear when the machine is in-use.

The machine must not be operated by persons who do not know enough about how to safely operate the machine, or by persons under the age of 16 years.

Dangerous Areas

Tanco Autowrap Ltd. has given the safety to the operator the highest priority, but it is still impossible to secure oneself of every danger area on the machine. Therefore we have highlighted below some of the dangers that can occur when using the I70 Bale Shear.

Hydraulic Fluid

Never use your hands to search for hydraulic fluid leaks, use a piece of paper or cardboard for this purpose. Remember that escaping fluids under high pressure can be invisible, but can easily penetrate the skin and cause serious and sometimes permanent injury.

Machine Operation.

Always stop the tractor, lower the attachment to ground level and shut off the engine when leaving the machine.

Never keep the tractor running whilst installing or servicing the Bale Shear.

Safety Shutdown Procedure.

Work of any type on farm machinery is always more dangerous when the tractor is running. Therefore before cleaning, lubricating, or servicing this unit, the following Safety Shutdown Procedure should always be followed:

1. Move the Tractors drive control and the hydraulic control valve to their neutral positions and idle the engine down.
2. Position the Bale Shear so that it is completely resting on the ground.
3. Engage the tractors parking brake.
4. Move the tractors throttle to slow idle, shut the engine off and remove the ignition key.



It is the responsibility of the operator to ensure that all steps of the I70 Bale Shear operating procedures are followed. Failure to do so may result in the I70 Bale Shear being inadvertently closed or opened due to incorrect installation/operation.

Safety Principles

The blades on the Bale Shear are very sharp. You must always take care to keep any risk of an accident down to a minimum. Please adopt the following safety principles when operating the I70 Bale Shear.

DO NOT Leave the Bale Shear open when not in use.

DO NOT Allow people or animals near any moving parts of the machine.

DO NOT Leave the Bale Shear open if leaving the machine unattended for any length of time, however short it is.

DO NOT Restrict the movement of any moving part of the machine.

DO NOT Drive on the road with the Bale Shear in open position.

Always, as far as possible, make sure there are no foreign objects in the bales which could damage the blades.

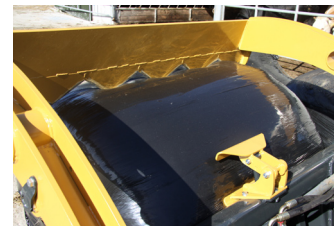
Always check the height of the loader boom when entering or leaving a building, or when passing under overhead cables.

Operating the Bale Shear for Round Bales

1. With the Bale Shear fully open and with the tines resting on the ground, approach the bale and move the tractor forward until the bale is pressed tightly against the Shear Grabs' main frame.



2. Move the hydraulic control lever to close the shear frame down onto the bale, whilst at the same time the gripper closes and grips the plastic.



3. Transport the bale to where it is to be split and operate the hydraulic control lever to close the Bale Shear so that it pierces the plastic wrap and slices the bale down the centre.



4. Operate the control levers so they are almost fully open the Bale shear, with the loader to effectively spill the two halves of the bale either onto the feed passage or onto the feeder wagon.



5. Continue raising the loader to strip the plastic wrap, which is still held by the gripper jaws, away from the bale.



6. Dump the plastic wrap in a convenient place where it can be collected for recycling by fully opening the Bale Shear.



When not using the Bale Shear, always make sure that it is left fully closed. Pivot points should be greased at regular intervals via the grease nipples.

Always disconnect all hydraulic lines and close the Bale Shear fully before carrying out any maintenance.

The Bale Shear blades must be kept sharp. Always wear protective clothing, and always use heavy gloves when working on the blades. In normal operation, the blades should only require sharpening if they are damaged. Re-sharpening must only be done with a file. Do not use a portable grinding machine as this will overheat the blades and reduce their sharpness. If damage to the blades is severe, seek advice from your Tanco dealer.

The Bale Shear should be regularly checked for any signs of corrosion or leakage or other damage. This check should include all moving parts, hydraulic components, and the tightness of all fittings, particularly the tines in the main structure.

Before using the Bale Shear, always check that it is clean and that all moving parts are free from obstruction.

GUARANTEE

Subject to hereunder provided, the sellers undertake to correct either by repair or at their election by replacement any defect of material or workmanship which occurs in any of its goods within twelve months after delivery of such goods to first user, with the exception of contractors or commercial users when warranty period is six months.

In respect of 'Bale Shears' the warranty period is for 12 months on non-wearing parts.

The term goods when used in this document means the article or articles described in invoices as sold by the sellers but does not include equipment or proprietary parts or accessories not manufactured by the sellers. The sellers, however, undertake to pass on so far as they legally can to the first user the benefit of any warranty given to the sellers by the suppliers of such equipment, parts or accessories.

This understanding shall not apply to:-

- (a) Any goods that have been sold by the first user.
- (b) Any goods which have been injured by unfair wear and tear, neglect or improper use.
- (c) Any goods the identification marks of which have been altered or removed.
- (d) Any goods that have not received the basic normal maintenance such as tightening of bolts, nuts, tines, hose connections and fittings and normal lubrication with the recommended lubricant.
- (e) The use of any product on tractors exceeding the recommended horsepower.
- (f) Any goods that have been altered or repaired other than on instruction or with the written approval of the seller or to which any part not manufactured or having written approval by the sellers have been fixed.
- (g) Any second-hand goods or parts thereof.



Any allegedly defective part or parts returned to the seller must be sent carriage paid. No claim for repair or replacement will be entertained unless upon discovery of the alleged defect written notification is sent to the Sellers giving, at the same time, the name of the Buyer from whom the goods were purchased and the date of purchase, together with the full details of the alleged defect and the circumstances involved, also the serial number of the machine etc.

The sellers shall be under no liability to their Buyers and first or subsequent users of their goods or to any other person or persons for loss or damage howsoever arising in respect of either personal injuries or for arising out of, or in any other way connected with or arising from the manufactures sale, handling, repair, maintenance, replacement or use of its goods or the failure or malfunction of any of its goods. Representation and/or warranties made by any persons (including Buyers and employees and other representatives of the Seller) which are inconsistent or conflicting with these conditions are not binding upon the sellers unless given in writing and signed by a director of sales.

CLAIMS

If you wish to make a claim under the guarantee:

- 1: Immediately, stop using the machine.
- 2: Consult with your Tanco dealer (supplier). He/She can download a warranty claim form on-line. This should be filled out and e-mailed to distributor and forwarded to relevant contact person in Tanco. Please ensure all relevant information is included on this form
- 3: Consult with your Tanco dealer (supplier) and have them forward your claim and the damaged item to Tanco.

EC DECLARATION OF CONFORMITY

ACCORDING TO DIRECTIVES 8 9/392/336 /EEC AS AMENDED

Manufacturer:
Tanco Autowrap Ltd
Bagenalstown
Co. Carlow
IRELAND

CERTIFIES THAT THE FOLLOWING PRODUCT:
TANCO AUTOWRAP
MODEL: I70 Bale Shear
SERIAL NO:

To which this declaration relates, corresponds to the essential requirements of the Directive 89/392/336/
EEC as amended.

To conform to these essential health and safety requirements, the provisions of the following harmonized
standards were particularly considered:

EN 292-1,2, EN 294, EN 1152, prEN 703, prEN 811, prENI553, prEN 982.

DATE 14.02.09

Signed: _____



Con Hourihane, Technical Manager



I70 Spare Parts List

We recommend that when you require spare parts you use only original parts.

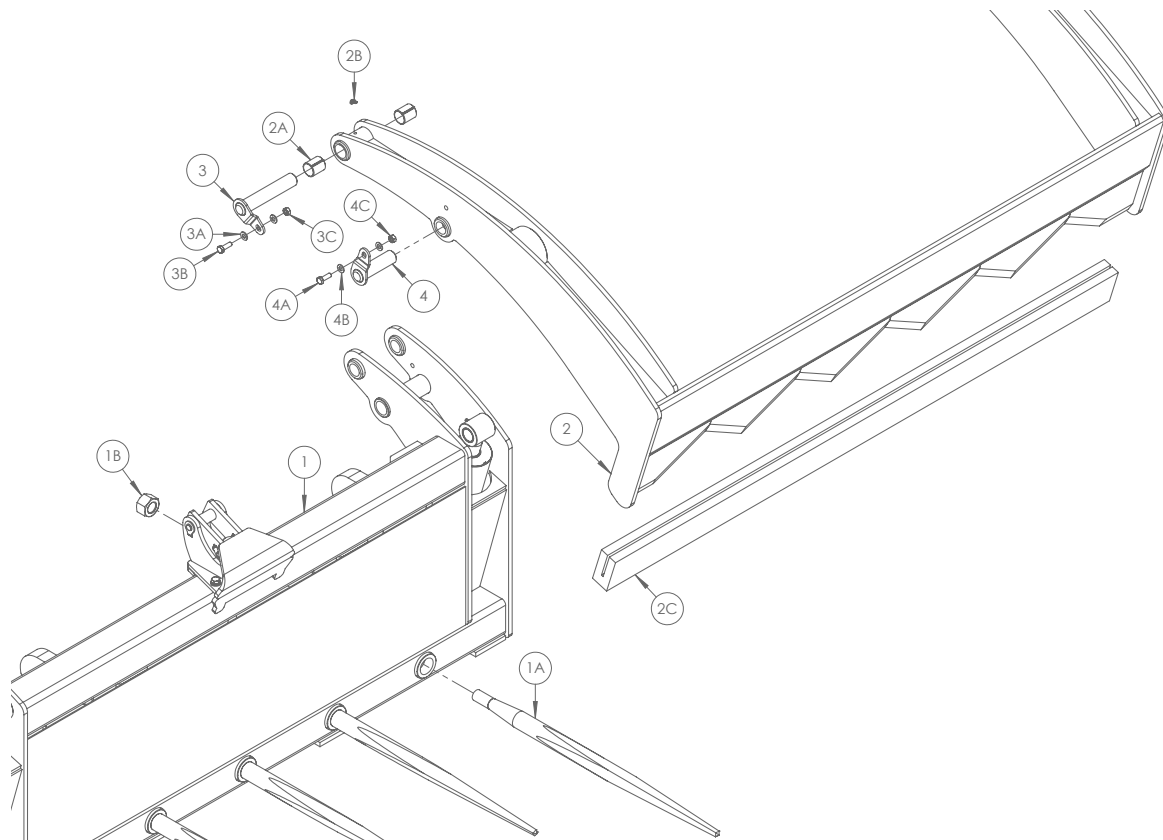
When ordering spare parts please follow the following steps;

1. Identify the part you require using the detailed drawings.
2. Once you have identified the part you require reference the item number relating to the part on the item list where you will find the part number and description of the part you require. You will be required to give the complete part no and description when ordering your part(s).
3. When ordering you must give the Serial Number and Model Number of the machine.
4. All orders must go through your local Tanco Dealer, and must be either faxed or e-mailed to Tanco Autowrap.

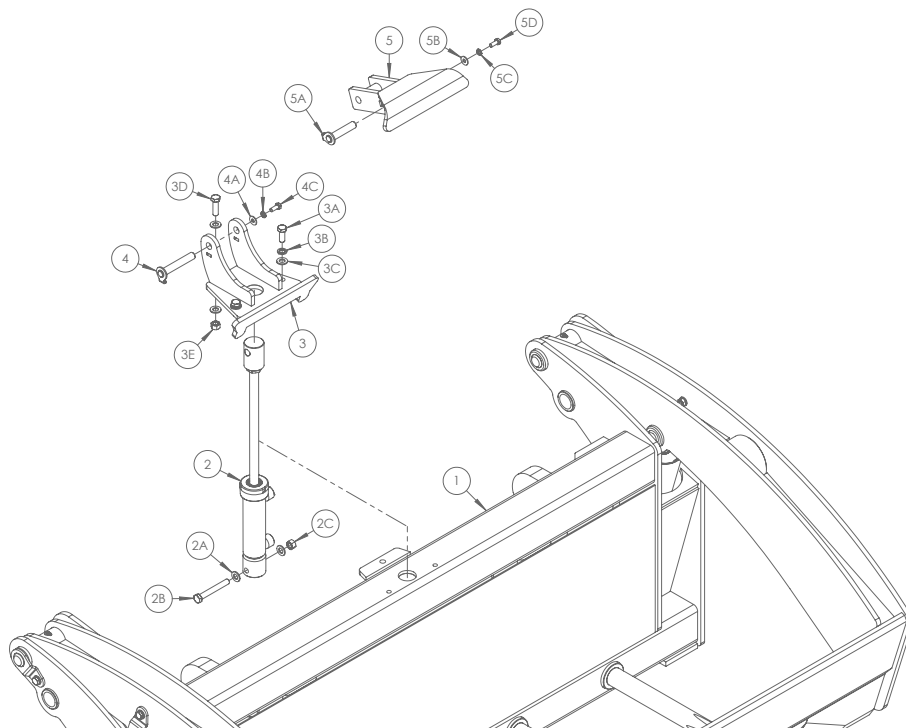
Spare Parts Manual Section 2

Chapter	Contents	Page
1	Cutter Frame Assembly	2
2	Gripper Assembly	4
3	Hydraulic Components Assembly	6

Tanco Autowrap - I70 Shear
Spare Parts Manual



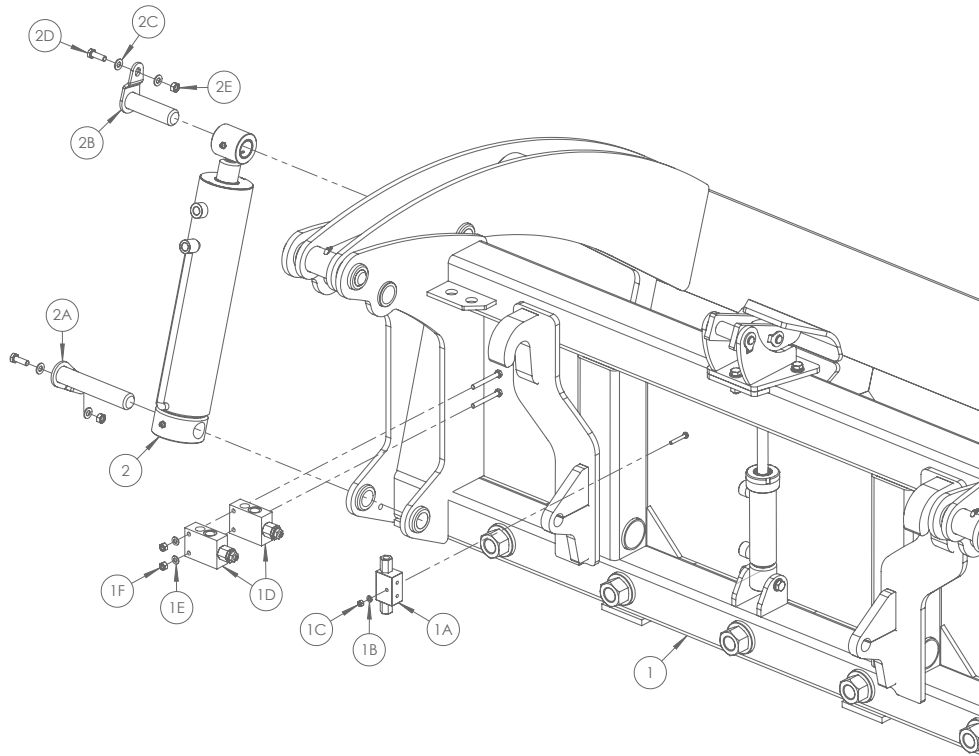
Item No.	Part No.	Description	Qty
1	7001000	I70 Main Frame	1
1A	Z001-072	Bale Tine	5
1B	Z001-243	Tine Nut	5
2	7002000	70 Cutter Frame	1
2A	Z03-20-34	DU Bush 32mm ID X 40mm Long	2
2B	34061915	90 Degree M8 Grease Nipple	1
2C	7005050	Blade Protector	1
3	7005020	Cutter Frame Pivot Pin	1
3A	Z10-02-10	10mm Flat Washer	2
3B	Z26-0625	M10 x 30mm Hex Set	1
3C	Z23-10	10mm Locknut	1
4	7005010	Cutter Cylinder Pin	1
4A	Z10-02-10	10mm Flat Washer	2
4B	Z26-0625	M10 x 30mm Hex Set	1
4C	Z23-10	10mm Locknut	1



Item No.	Part No.	Description	Qty
1	7001000	I70 Main Frame	1
2	7008020	Gripper Cylinder	1
2A	Z10-02-12	12mm Flat Washer	2
2B	Z26-091B	M12 x 90mm Hex Bolt	1
3	7003100	Plastic Bottom Grab	1
3A	Z26-082S	M12 x 30mm Hex Set	2
3B	Z12-02-12	12mm Spring Washer	2
3C	Z10-02-12	12mm Flat Washer	4
3D	Z26-084S	M12 x 40mm Hex Set	1
3E	Z23-12	12mm Locknut	1
4	7005030	Gripper Pivot Pin	1
4A	Z11-02-081	8mm Mud Washer	1
4B	Z12-02-08	8mm Spring Washer	1
4C	Z26-039S	M8 x 20mm Hex Set	1

Item No.	Part No.	Description	Qty
5	7003200	Plastic Top Grab	1
5A	7005040	Gripper Cylinder Pin	1
5B	Z11-02-081	8mm Mud Washer	1
5C	Z12-02-08	12mm Spring Washer	1
5D	Z26-039S	M8 x 20mm Hex Set	1





Item No.	Part No.	Description	Qty
1	7001000	I70 Main Frame	1
1A	7008040	Dual Overcentre Valve	1
1B	Z10-02-06	6mm Flat Washer	1
1C	Z23-06	6mm Locknut	1
1D	7008030	Sequance Valve	2
1E	Z10-02-08	8mm Flat Washer	2
1F	Z23-08	8mm Locknut	2
2	7008010	Bale Splitter Cylinder	1
2A	7005020	Cutter Cylinder Pin B	1
2B	7005010	Cutter Cylinder Pin B	1
2C	Z10-02-10	10mm Flat Washer	4
2D	Z26-0625	M10 x 30mm Hex Set	2
2E	Z23-10	10mm Locknut	2

